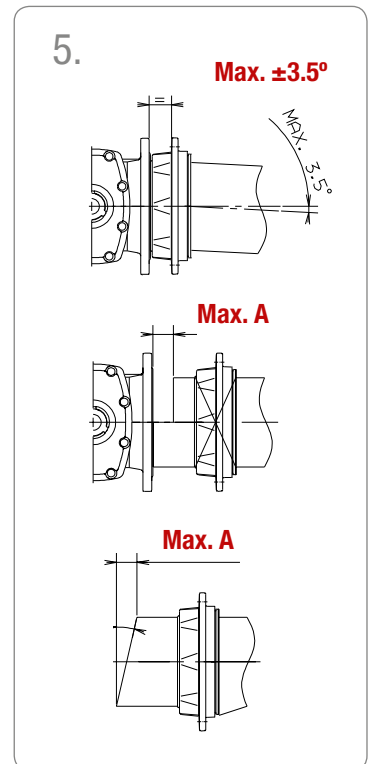
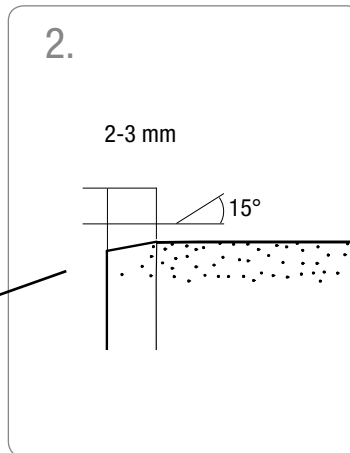




AVK COMBI-FLANGE FOR DUCTILE IRON PIPES, TENSILE, DN 250 & 300

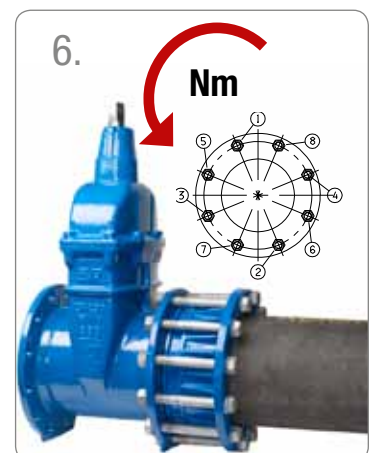
SERIES 05/26

Mounting instruction



DN/ ext. dia	A	Bolts PN10	Bolts PN16	Nm PN10/16
250/274	50	12xM20x220	12xM24x220	150/200
300/326	50	12xM20x220	12xM24x220	150/200

DN/ ext. dia	PN	AVK ref. nos.	
		Excl. bolts	Incl. bolts
250/274	10	05-274-262502404	05-274-262502400
250/274	16	05-274-262504404	05-274-262504400
300/326	10	05-326-263002404	05-326-263002400
300/326	16	05-326-263004404	05-326-263004400



AVK combi-flange

Tensile
DN 250 & 300
For ductile iron pipes

Ref. No.: XXXXXXXXXX



!
CHECK



www.avkvalves.eu

Expect... 