




# AVK SUPA PLUS™


# SERIES 01/70

Mounting instruction / Montagevejledning  
Einbauanleitung / Instruction de montage

1. Bi-PVC (DN 250-300) + PE




uPVC




2.


A



B



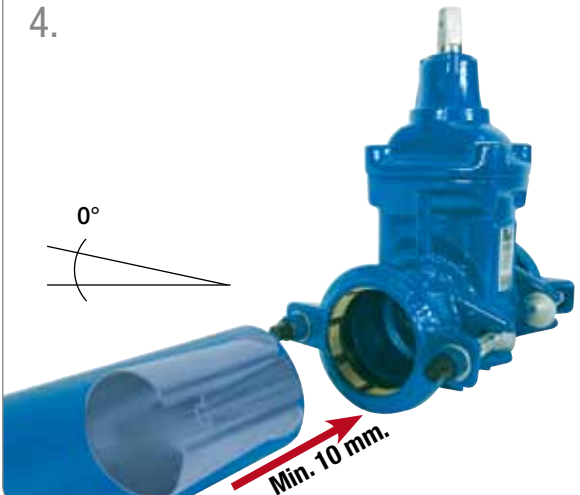
C



3. Glidemiddel / Gleitmittel /  
Grease / Fett / Vet / Grasa /  
Graisse Alimentaire

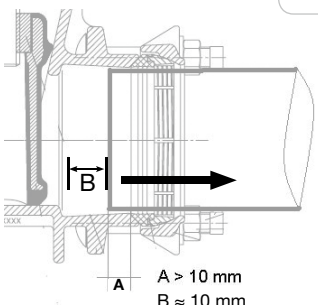


4.

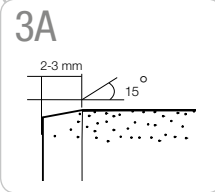


0°

Min. 10 mm.



3A



2-3 mm

15°

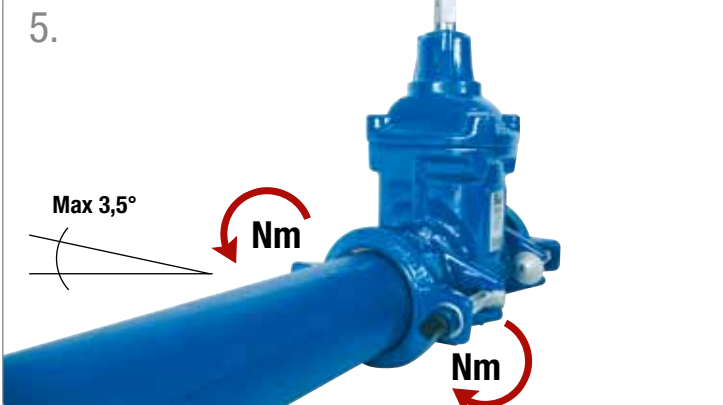
A

B

A > 10 mm

B ≈ 10 mm

5.



Max 3,5°

Nm

Nm

## AVK Supa Plus™ series 01/70

Ref. No.: XXXXXXXXXX

**CHECK !**

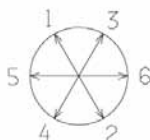


[www.avkvalves.eu](http://www.avkvalves.eu)



### Nm Pipe dimension

35	DN 32 / 40 mm to DN 65 / 75 mm, ≤ 5 bar
60	DN 32 / 40 mm to DN 65 / 75 mm, ≤ 10/16 bar DN 80 / 90 mm to DN 150 / 180 mm, ≤ 5 bar DN 200 / 200 mm, ≤ 5 bar DN 200 / 225 mm, ≤ 5 bar
80	DN 250 / 250 mm to DN 250 / 280 mm, ≤ 5 bar
100	DN 300 / 315 mm, ≤ 5 bar
110	DN 80 / 90 mm to DN 150 / 180 mm, ≤ 10/16 bar DN 200 / 200 mm, ≤ 10 bar DN 200 / 225 mm, ≤ 10 bar
140	DN 200 / 200 mm, ≤ 16 bar DN 200 / 225 mm, ≤ 16 bar
160	DN 250 / 250 mm to DN 250 / 280 mm, ≤ 10/16 bar
200	DN 300 / 315 mm, ≤ 10/16 bar



Expect... **AVK**